

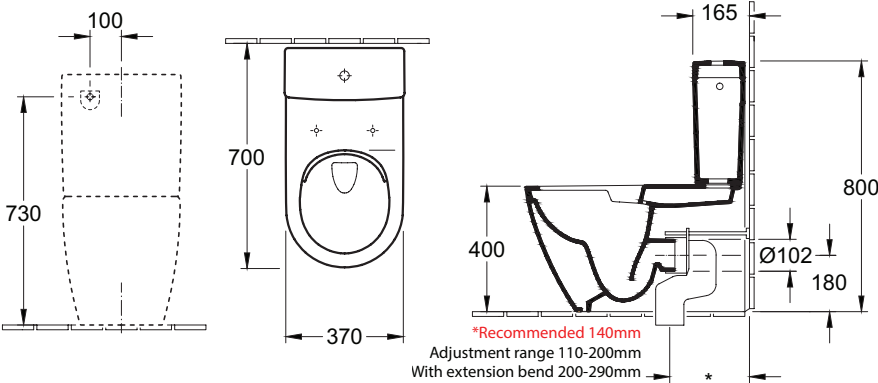


SUBWAY 2.0 BACK-TO-WALL TOILET SUITE WITH SLIM SEAT

Product Image	Technical Specification
  <p>Featuring Villeroy & Boch DirectFlush 'Rimless' Technology</p>	 <p>*Recommended 140mm Adjustment range 110-200mm With extension bend 200-290mm</p>

Water Entry:	Rear water entry requires ½" BSP male thread extending 10mm past the finished wall		
*S-Trap Set-out options	Distance from finished wall to centre of soil pipe	Vario Bend required	Installation Notes
Recommended	140mm	50015P	Supplied standard with S-trap Suites To be cut to required length on-site
Standard Adjustment Range	110-200mm	50015P	Supplied standard with S-trap Suites To be cut to required length on-site
With extension bend	200-290mm	8702	Order separately with P-Trap Suite To be cut to required length on-site - Requires installation into DWV pipe (adaptor supplied) or into a pan collar installed flush with the finished floor
Flushing Options:	4.5/3L toilets can be easily converted to 6/3L on-site where it is approved to do so; one-click conversion instructions are included inside the cistern		

Description

Subway BTW Toilet Suite with Soft-Closing Slim Seat

5617R001L4CB	P-Trap
5617R0R1L4CB	P-Trap with CeramicPlus
5617R101L4B	S-Trap
5617R1R1L4B	S-Trap with CeramicPlus

Direct Flush

Villeroy & Boch

Ceramic Plus

Villeroy & Boch

Soft Closing

Villeroy & Boch

Additional Information

- 5 Year Warranty on ceramics
- *Conditions Apply
- 10 Year Warranty on toilet seat
- WELS 4.5/3L 4 Star

