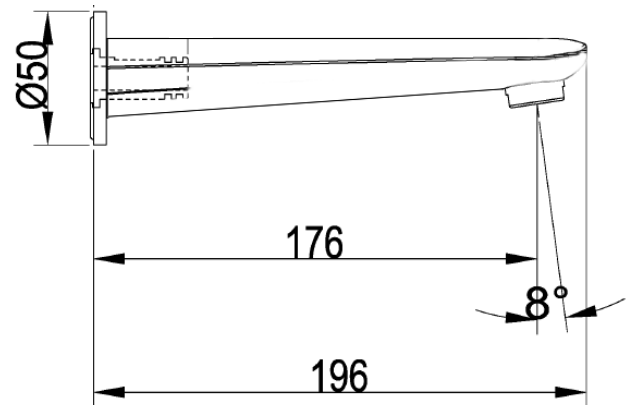
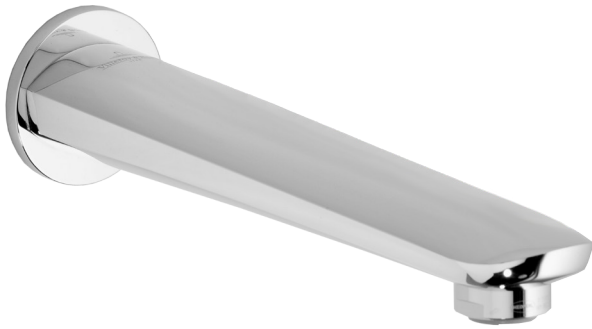




## START BATH SPOUT

Product Image	Technical Specification
---------------	-------------------------



**IMPORTANT INSTALLATION NOTES**

- SUPPLIED WITH FEMALE IRON SPIGOT
- 'ROUGH-IN' REQUIRES ½" BSP MALE THREAD, CUT FLUSH WITH FINISHED WALL
- USE LIQUID THREAD SEAL
- (SEE DETAILED INSTALLATION INSTRUCTIONS, AVAILABLE ON ARGENT WEBSITE, PRIOR TO INSTALLATION)

Description	Additional Information
<p>Start Bath Spout</p> <p><b>TVT1055061B</b></p>	<ul style="list-style-type: none"> <li>Removable bayonet thread connector</li> </ul>

