

Grace Free Form Vessel

Matte White

Product Image



Product Details

Code:	NO30MUL0021MW
Brand:	Argent
Range:	Grace
Warranty:	10 Years*
Product Width:	410 mm
Product Depth:	165 mm
WELS:	N/A

Additional Features

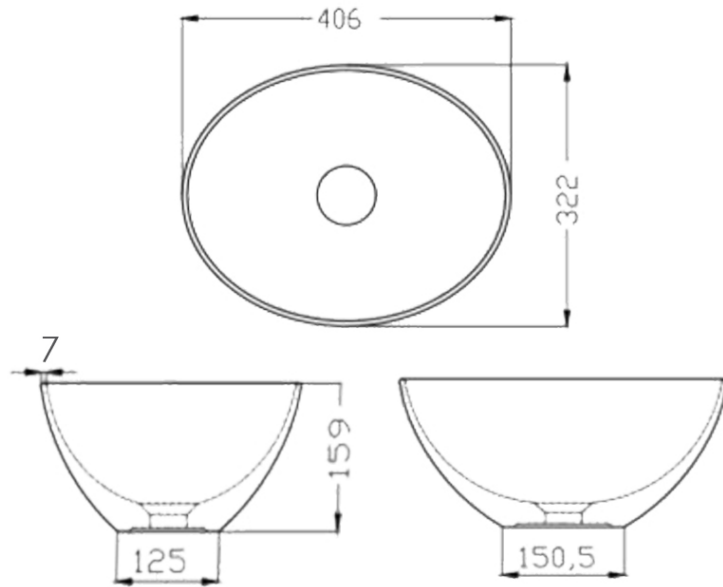
Required Product
32MM WASTE

Recommended Products
Series K316-D PUW 32mm 2 Piece

Additional Notes

- Thin Edge Lip profile

Technical Specification



*Please visit argentaust.com.au/warranty to view the full warranty

Note: All dimensions are in millimetres and are subject to normal manufacturing variations. Always use the physical product measurements for cut-outs and rough-ins as the technical details shown may differ from the actual product. Use acetic cured silicone sealant. Do not use epoxy type adhesives. Clean with damp cloth. Do not use abrasive cleaners, liquids or pastes.