

**Product Image**



**Product Details**

<b>Code:</b>	<b>KS5061100WH</b>
Brand:	Argent
Range:	Grace
Warranty:	15 Years*
Product Width:	610 mm
Product Height:	460 mm
Product Depth:	220 mm
Litre Capacity:	48 L

**Additional Features**

**Technical Specification**

**Required Product**

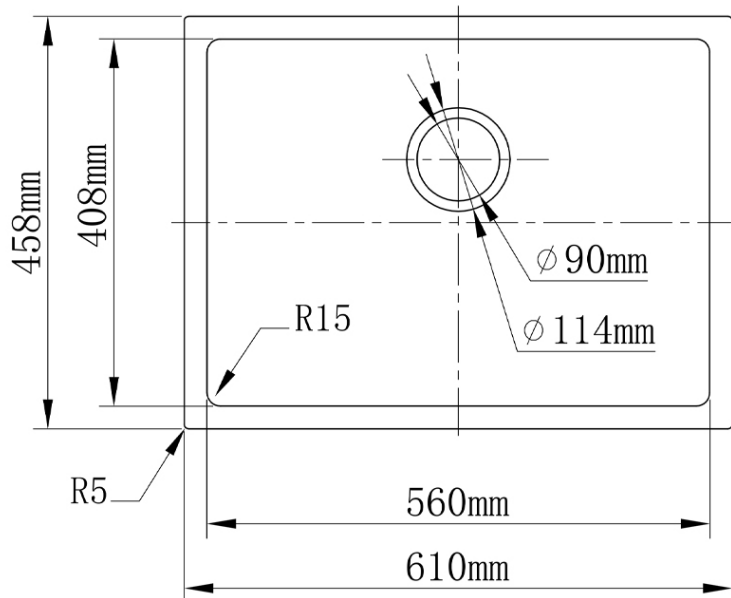
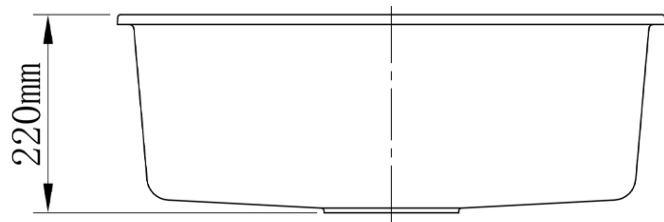
**Recommended Products**

**Additional Notes**

- Project Special Order - 50 MOQ
- Durable
- Stain & bacteria resistant
- 11-114-61 waste included

**Installation Instructions**

- \* Undermount
- \* Flexible sealant only



\*Please visit [argentaust.com.au/warranty](http://argentaust.com.au/warranty) to view the full warranty

*Note: All dimensions are in millimetres and are subject to normal manufacturing variations. It is recommended to use the physical product measurements for cut-outs and rough-ins as the technical details shown may differ from the actual product. Use acetic cured silicone sealant. Do not use epoxy type adhesives. Clean with damp cloth. Do not use abrasive cleaners, liquids or pastes.*