



# Grace Gooseneck Kitchen Mixer Pull Out Aerator

Matte Black

**Product Image**



**Product Details**

<b>Code:</b>	<b>KM42288995</b>
Brand:	Argent
Range:	Grace
Warranty:	15 Years*
WELS:	5 Star 6 LPM, Reg #: T34667

**Additional Features**

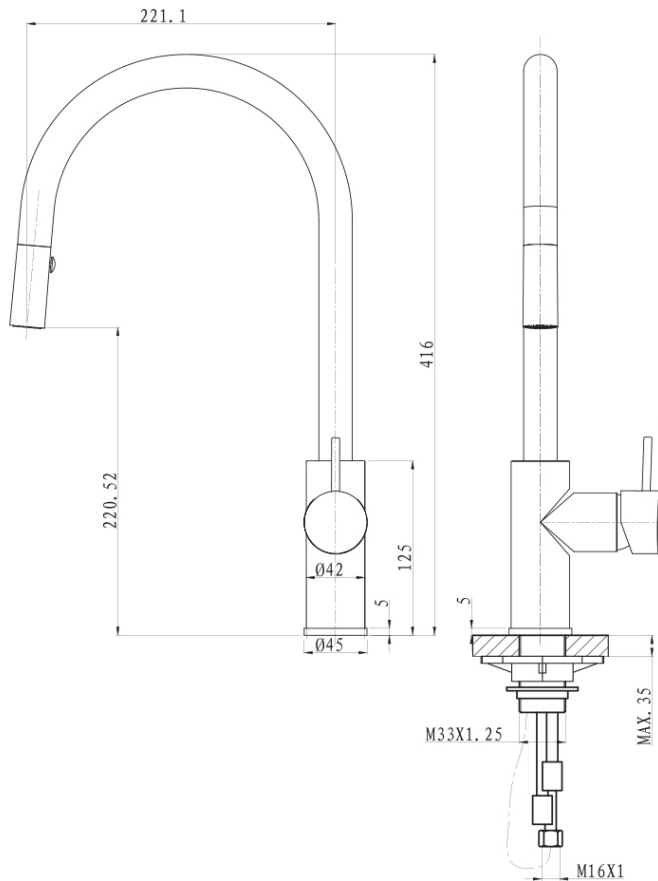
**Technical Specification**

**Required Product**

**Recommended Products**

**Additional Notes**

- 35mm European Ceramic Cartridge | Quality PEX Connection Hoses | Superior Flow Regulator



\*Please visit [argentaust.com.au/warranty](http://argentaust.com.au/warranty) to view the full warranty

Note: All dimensions are in millimetres and are subject to normal manufacturing variations. Always use the physical product measurements for cut-outs and rough-ins as the technical details shown may differ from the actual product. Use acetic cured silicone sealant. Do not use epoxy type adhesives. Clean with damp cloth. Do not use abrasive cleaners, liquids or pastes.

