
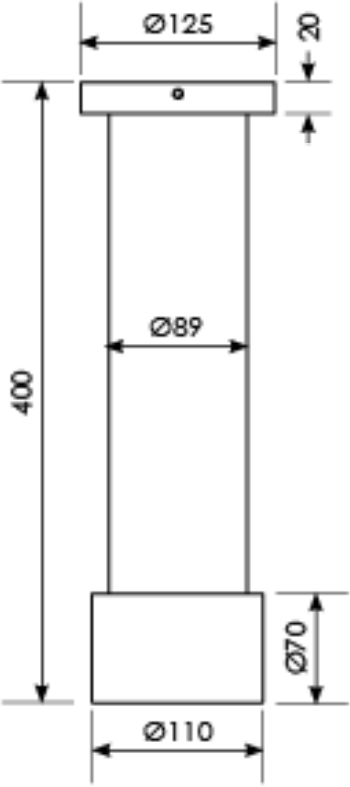





# SOHO CEILING SHOWER

Product Image	Technical Specification
	

Description
<p>Soho Ceiling Shower 110mmØ WELS 3 Star/9Lpm</p> <p><b>700-6802B</b>    Matte Black <b>700-6800B</b>    Raw</p>

Additional Information
<p>Stainless Steel 304 Grade</p>  <p>9 litres per minute WATER RATING www.waterrating.gov.au To accredit with AS/NZS 4900 Licence No. 0008 Argent Australia</p>

