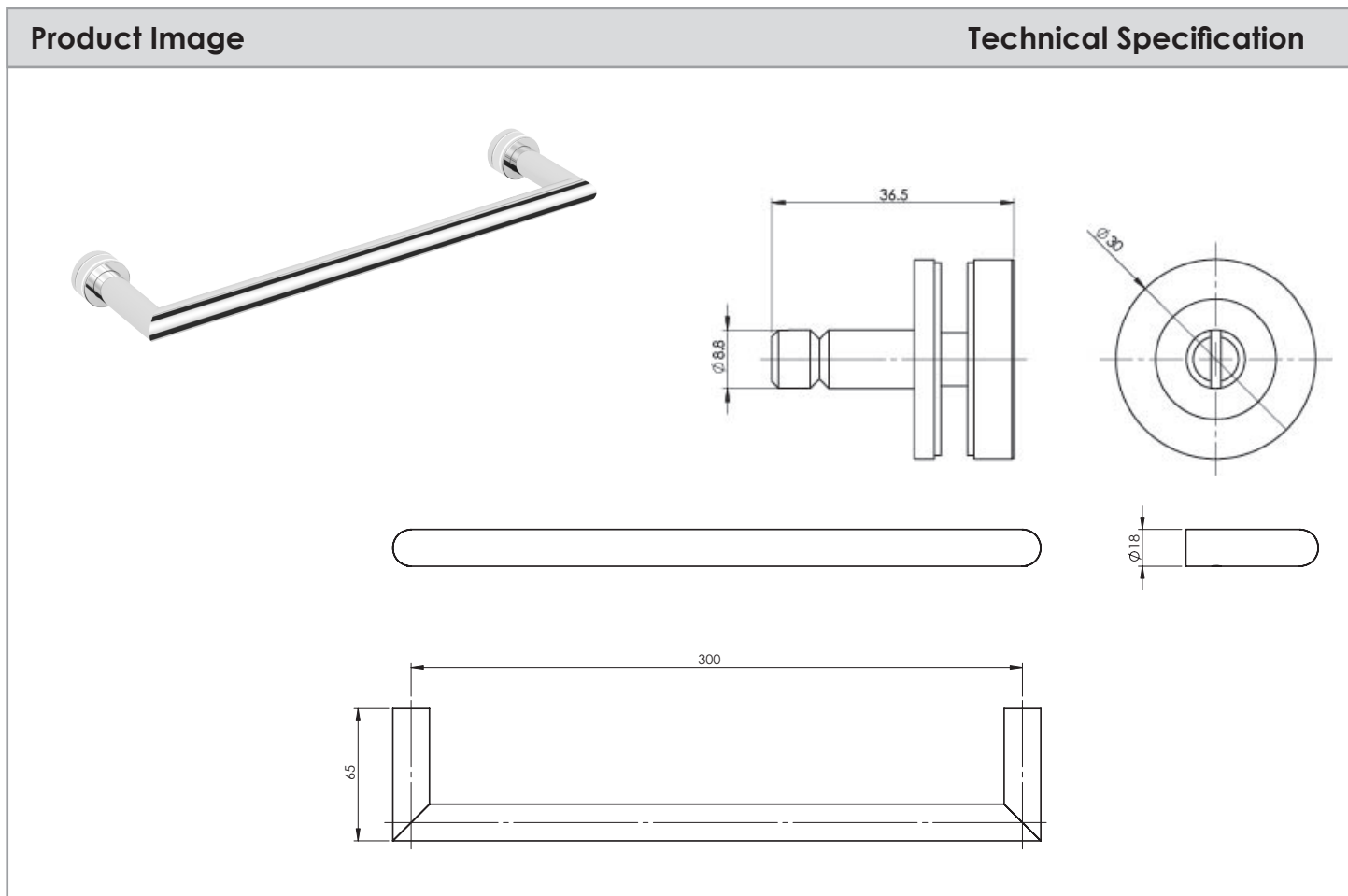




# FOCAL 300 GLASS PANEL TOWEL RAIL



| Description                      |                         |
|----------------------------------|-------------------------|
| Focal 300 Glass Panel Towel Rail |                         |
| <b>AG30300B</b>                  |                         |
| <b>Includes</b>                  |                         |
| 1x AG70159-300                   | Towel Rail Component    |
| 2x AG3000F                       | Cover Plate + Connector |

| Additional Information   |
|--|
| <ul style="list-style-type: none"> <li>• Chrome Plated</li> <li>• For mounting onto 6-10mm glass or acrylic panels</li> <li>• 10 mm Ø holes required.</li> </ul> |

