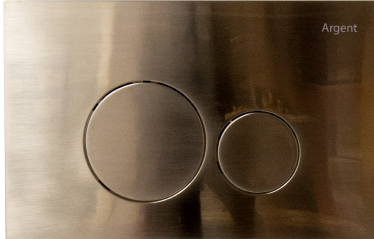




# Grace Round Flush Plate - Pneumatic

Brushed Nickel

**Product Image**



**Product Details**

<b>Code:</b>	<b>FQ5020BN</b>
<b>Brand:</b>	Argent
<b>Range:</b>	Grace Round
<b>Warranty:</b>	15 Years*
<b>WELS:</b>	N/A

**Additional Features**

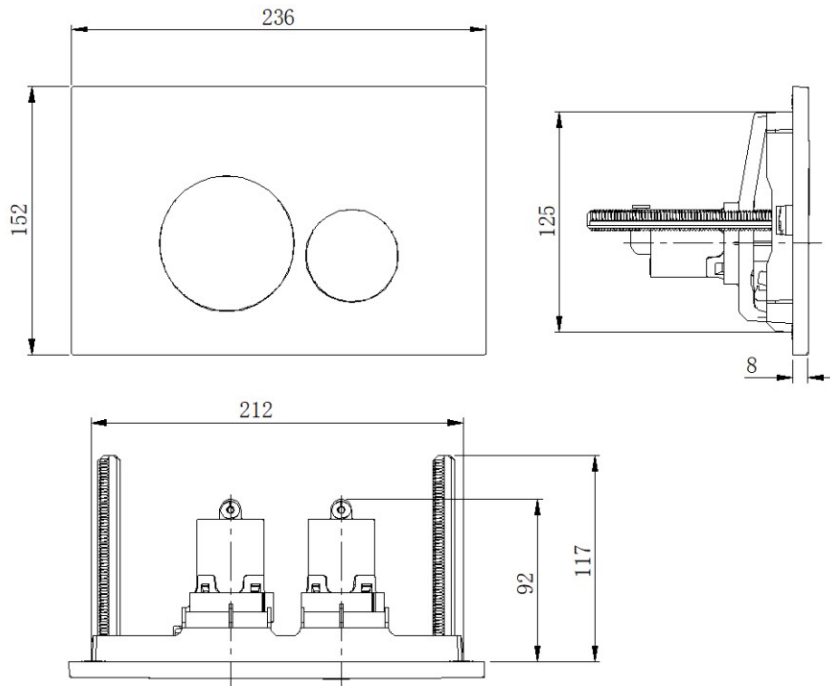
**Required Product**  
Compatible Argent Pneumatic In Wall Cistern

**Recommended Products**  
Argent 80mm or Low Level Cistern

**Additional Notes**

- Range of colours available
- Remote Installation possible

**Technical Specification**



\*Please visit [argentaust.com.au/warranty](http://argentaust.com.au/warranty) to view the full warranty

*Note: All dimensions are in millimetres and are subject to normal manufacturing variations. Always use the physical product measurements for cut-outs and rough-ins as the technical details shown may differ from the actual product. Use acetic cured silicone sealant. Do not use epoxy type adhesives. Clean with damp cloth. Do not use abrasive cleaners, liquids or pastes.*

