



Grace Round Flush Plate - Pneumatic

Chrome

Product Image



Product Details

Code:	FQ5020
Brand:	Argent
Range:	Grace Round
Warranty:	15 Years*
WELS:	N/A

Additional Features

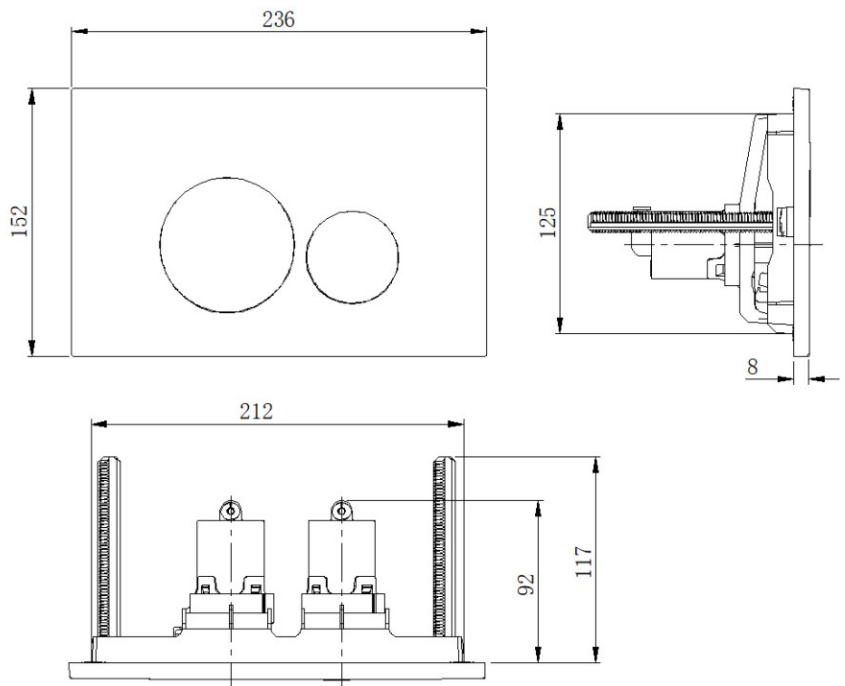
Required Product
Compatible Argent Pneumatic In Wall Cistern

Recommended Products
Argent 80mm or Low Level Cistern

Additional Notes

- Range of colours available
- Remote Installation possible

Technical Specification



*Please visit argentaust.com.au/warranty to view the full warranty

Note: All dimensions are in millimetres and are subject to normal manufacturing variations. Always use the physical product measurements for cut-outs and rough-ins as the technical details shown may differ from the actual product. Use acetic cured silicone sealant. Do not use epoxy type adhesives. Clean with damp cloth. Do not use abrasive cleaners, liquids or pastes.

