



Evo 360 Deep Under Counter basin

No Taphole, with overflow

Product Image



Product Details

| | |
|----------------|------------------|
| Code: | FC08TAL00 |
| Brand: | Argent |
| Range: | EVO |
| Warranty: | 10 Years* |
| Product Width: | 360 mm |
| Product Depth: | 126 mm |
| WELS: | N/A |

Additional Features

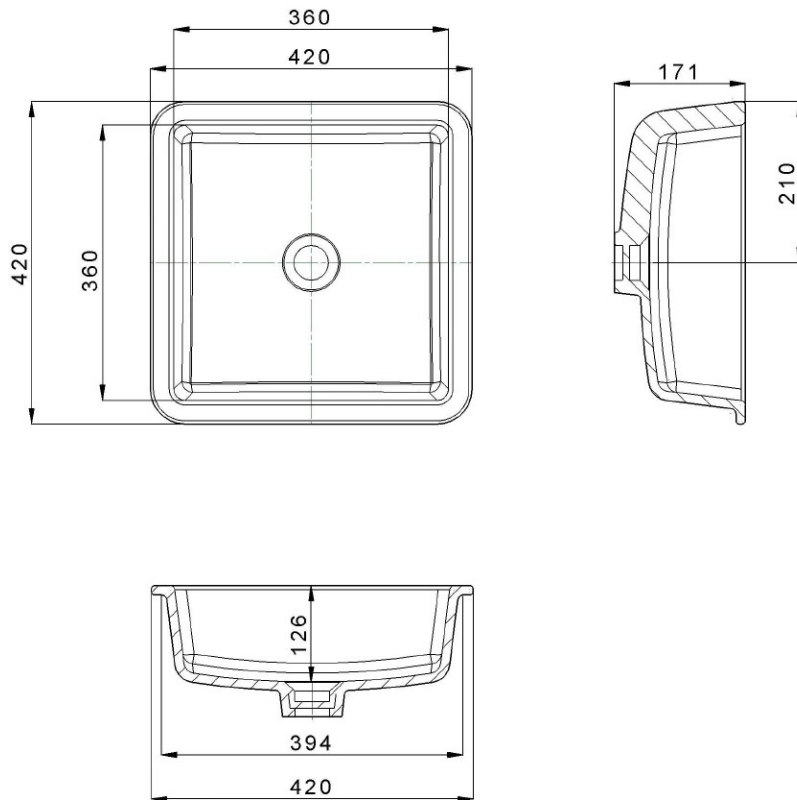
Required Product
32mm Overflow Waste

Recommended Products
K316-D pop Up Waste Series

Additional Notes
• Water Capacity to bottom of overflow 9.7lt

Installation Instructions
* No Cut out in benchtop should attempted without having actual basin on hand.

Technical Specification



*Please visit argentaust.com.au/warranty to view the full warranty

Note: All dimensions are in millimetres and are subject to normal manufacturing variations. Always use the physical product measurements for cut-outs and rough-ins as the technical details shown may differ from the actual product. Use acetic cured silicone sealant. Do not use epoxy type adhesives. Clean with damp cloth. Do not use abrasive cleaners, liquids or pastes.

