
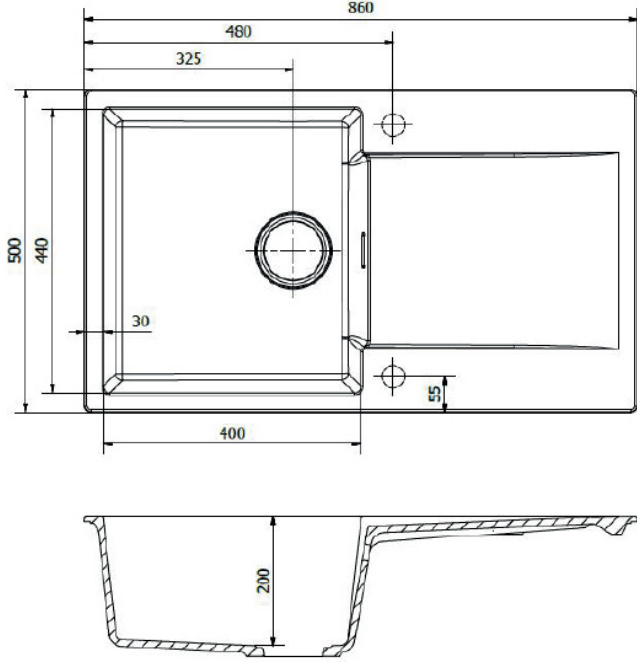




AMSTERDAM 860 SINK WITH DRAINER MIDNIGHT SKY

Product Image	Technical Specification						
 <div data-bbox="92 1120 454 1344"> <table border="1"> <tr> <td data-bbox="92 1120 271 1164">DR202</td> <td data-bbox="271 1120 454 1164">AW100</td> </tr> <tr> <td data-bbox="92 1164 271 1344"></td> <td data-bbox="271 1164 454 1344"></td> </tr> <tr> <td data-bbox="92 1299 271 1344">A</td> <td data-bbox="271 1299 454 1344">B</td> </tr> </table> </div>	DR202	AW100			A	B	
DR202	AW100						
A	B						

Description	
Amsterdam 860 Sink with Drainer Midnight Sky	
L8010-BSRB	1 Tap Hole, RH Drainer
L8010-BSLB	1 Tap Hole, LH Drainer
L8010-BS	No Tap Hole

Additional Information
<ul style="list-style-type: none"> • Overflow • 78% Quartz, 21% Resins, 1% enriching additives • Thermal Shock Resistant • Stain & Bacteria Resistant • Top mount Installation • 36 Litre Capacity • Suit 500 carcass or larger
<p>INSTALLATION DISCLAIMER ALL TEMPLATES, LINE DRAWINGS & ELECTRONIC FILES ARE SUPPLIED AS A GUIDE ONLY. PLEASE CROSS CHECK WITH ACTUAL BOWL BEFORE COMMENCING ANY CUTOUT AND ENSURE RADII ARE SUITABLE TO BENCHTOP MATERIAL TOLERANCES. ARGENT ACCEPTS NO RESPONSIBILITY FOR CUTOUT ERRORS. *SINKS WITH OVERFLOWS WILL NEED ALLOWANCE IN BENCHTOPS WHEN TOP MOUNTING – PLEASE CROSS CHECK WITH ACTUAL BOWL TO ASSIST*</p>