




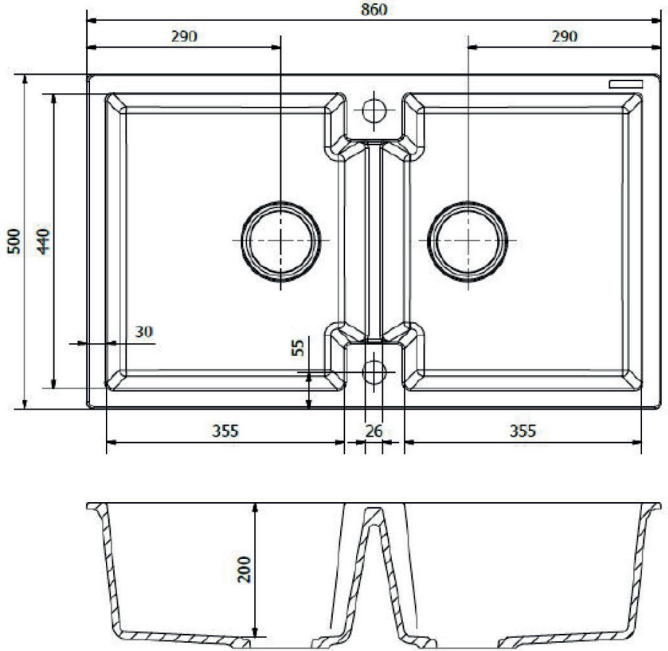






AMSTERDAM 860 DOUBLE SINK NO TAPHOLE MIDNIGHT SKY

Product Image	Technical Specification		
 <div data-bbox="92 1126 453 1350"> <table border="1"> <tr> <td data-bbox="92 1126 274 1350"> <p>DR202</p>  <p>A</p> </td> <td data-bbox="274 1126 453 1350"> <p>AW100</p>  <p>B</p> </td> </tr> </table> </div>	<p>DR202</p>  <p>A</p>	<p>AW100</p>  <p>B</p>	
<p>DR202</p>  <p>A</p>	<p>AW100</p>  <p>B</p>		

Description	
Amsterdam 860 Double Sink Midnight Sky	
L8020-BS	No Taphole
L8020-BSB	1 Tap Hole

Additional Information
<ul style="list-style-type: none"> • No Overflow • 78% Quartz, 21% Resins, 1% enriching additives • Thermal Shock Resistant • Stain & Bacteria Resistant • Top mount & Under mount Installation • 29 / 29 Litre Capacity • Suit 800 carcass or larger
<p>INSTALLATION DISCLAIMER ALL TEMPLATES, LINE DRAWINGS & ELECTRONIC FILES ARE SUPPLIED AS A GUIDE ONLY. PLEASE CROSS CHECK WITH ACTUAL BOWL BEFORE COMMENCING ANY CUTOUT AND ENSURE RADII ARE SUITABLE TO BENCHTOP MATERIAL TOLERANCES. ARGENT ACCEPTS NO RESPONSIBILITY FOR CUTOUT ERRORS. *SINKS WITH OVERFLOWS WILL NEED ALLOWANCE IN BENCHTOPS WHEN TOP MOUNTING – PLEASE CROSS CHECK WITH ACTUAL BOWL TO ASSIST*</p>

