



# Mondrian Neu 800 Double Towel Rail

Brushed Gold

**Product Image**



**Product Details**

<b>SKU:</b>	<b>AR93632DBG</b>
Brand:	Argent
Range:	Mondrian Neu
Warranty:	5 Years

**Additional Features**

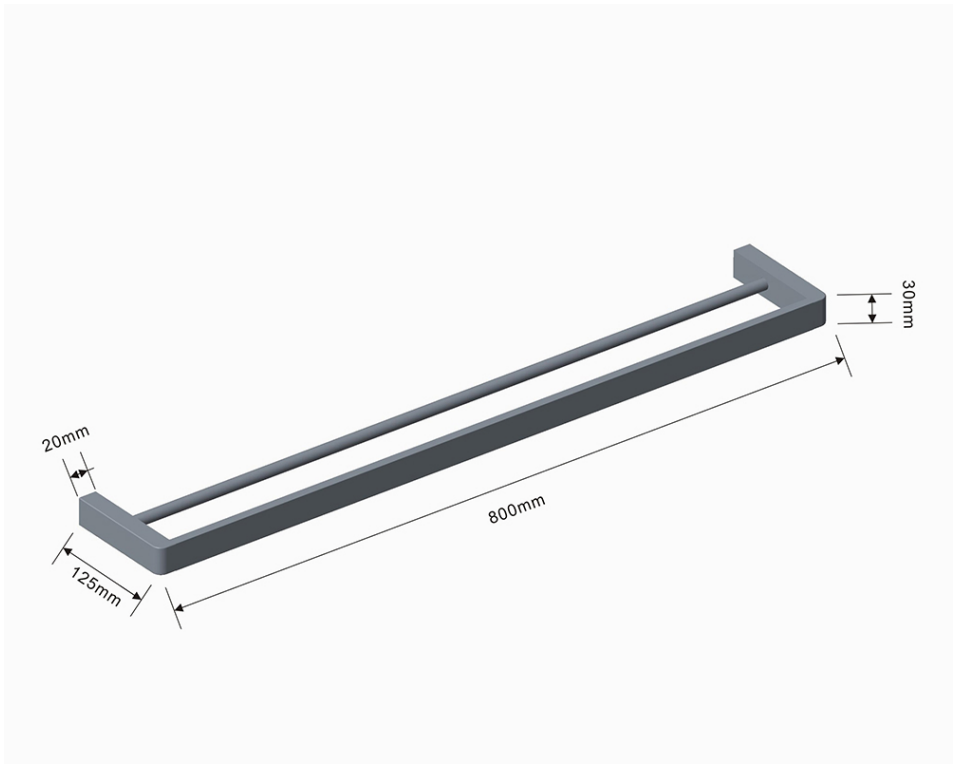
**Required Product**

**Recommended Products**

**Additional Notes**

\* Dual Fixing

**Technical Specification**



*Note: All dimensions are in millimetres and are subject to normal manufacturing variations. Always use the physical product measurements for cut-outs and rough-ins as the technical details shown may differ from the actual product. Use acetic cured silicone sealant. Do not use epoxy type adhesives. Clean with damp cloth. Do not use abrasive cleaners, liquids or pastes.*

