



Finera Kitchen Mixer

Matte Black

Product Image **Product Details**



Code: 9270W0S9
Brand: Villeroy & Boch
Range: Finera
Warranty: 15 Years*
WELS: 6 Star 4.5 LPM, Reg #: T35651 (V)

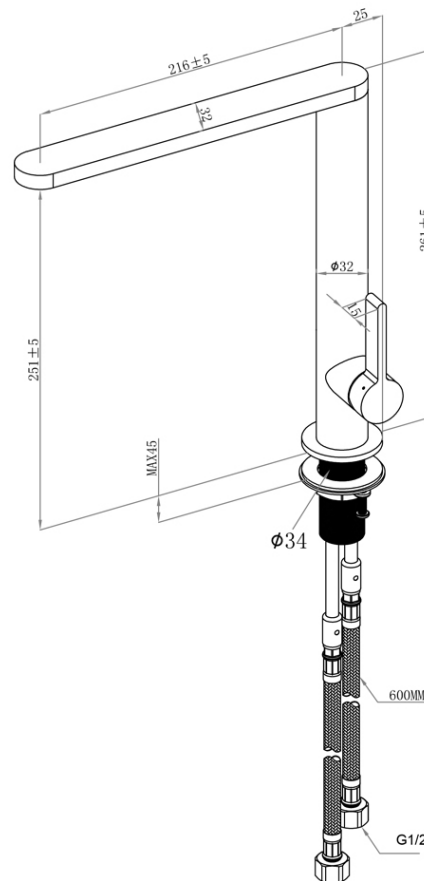
Additional Features **Technical Specification**

Required Product

Recommended Products

Additional Notes

- Stainless Steel 304 Grade
- 25mm Ceramic Cartridge
- 360 Degree Swivel Range



*Please visit argentaust.com.au/warranty to view the full warranty

Note: All dimensions are in millimetres and are subject to normal manufacturing variations. Always use the physical product measurements for cut-outs and rough-ins as the technical details shown may differ from the actual product. Use acetic cured silicone sealant. Do not use epoxy type adhesives. Clean with damp cloth. Do not use abrasive cleaners, liquids or pastes.

