

# ViConnect

---





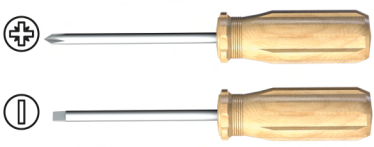
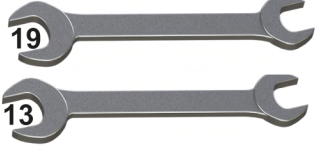
---


 Installation instructions



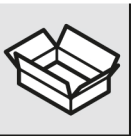

## 2 Installation requirements








---

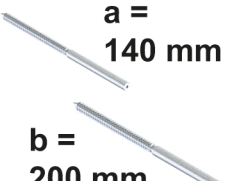





2 x 4 x




2 x




a =  
140 mm


b =  
200 mm



2 x

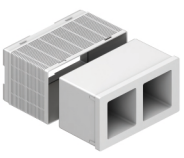


1 x




1 x


---



1 x




DN 90 / DN 100

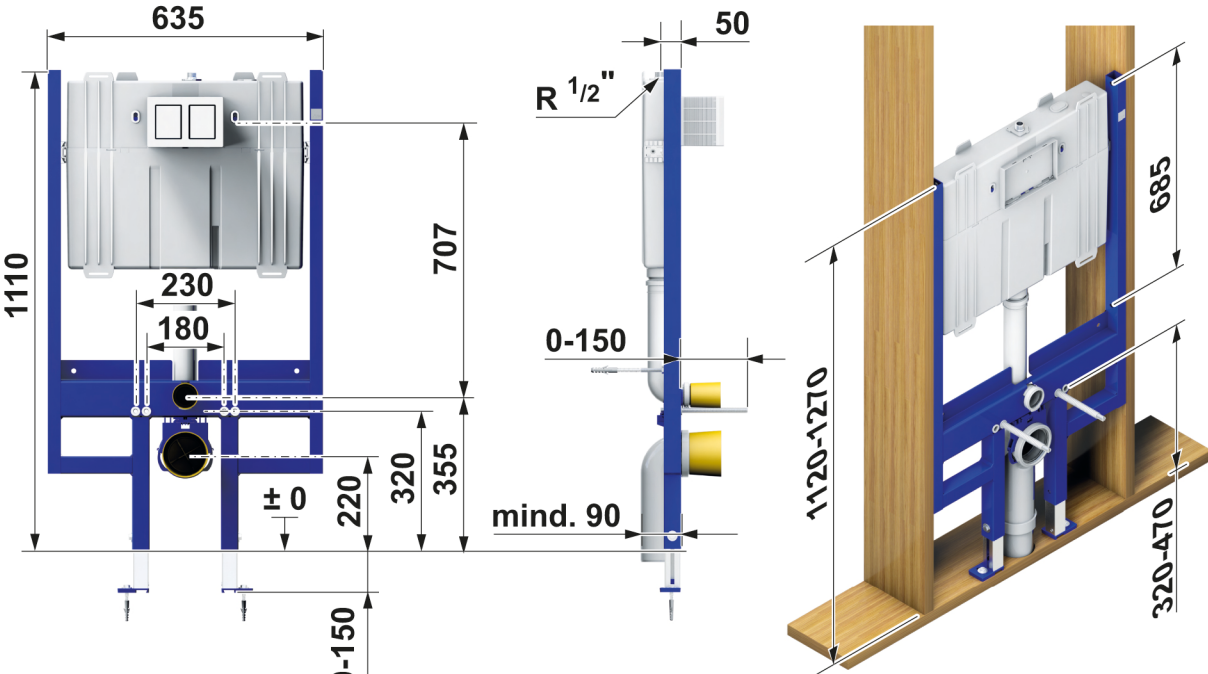


DN 50

---



[ mm ]



2

ARGENTAUST.AU // V 1.0 // 22.11.2021 // 921100A2

1. Inspect all parts prior to installation for suitability and/or defects.
2. Any suspected defect should be reported as soon as possible.
3. Should any product be installed despite a fault having been found and reported, liability will not be accepted for the cost of labour to remove and install any replacement product/s.



*Important*

The product must be installed by a qualified person in a manner prescribed by local & statutory regulations and to the manufacturer's specifications.



*Important*

Inlet valve water pressure and pipe sizing must comply with AS3500-4 & Manufacturers specifications.

- Maximum 500 kpa static.
- Minimum 100 kpa dynamic.
- Not suitable for low pressure systems.

### 3 Warranty conditions



*Important*

Warranty is only valid if products are installed and operated in accordance with the manufacturers instructions.



*Important*

Documents of purchase and/or installer compliance certificates need to be produced to validate the product is within the manufacturers warranty period.



*Important*

Argent Australia Pty Ltd is the authorised distributor and warranty agent for these products.

Argent Australia Pty Ltd must be contacted to authorise any service within the warranty period.



*Important*

WELS and Watermark regulations are applicable to all WC toilets and flushing systems sold in the Australian market.



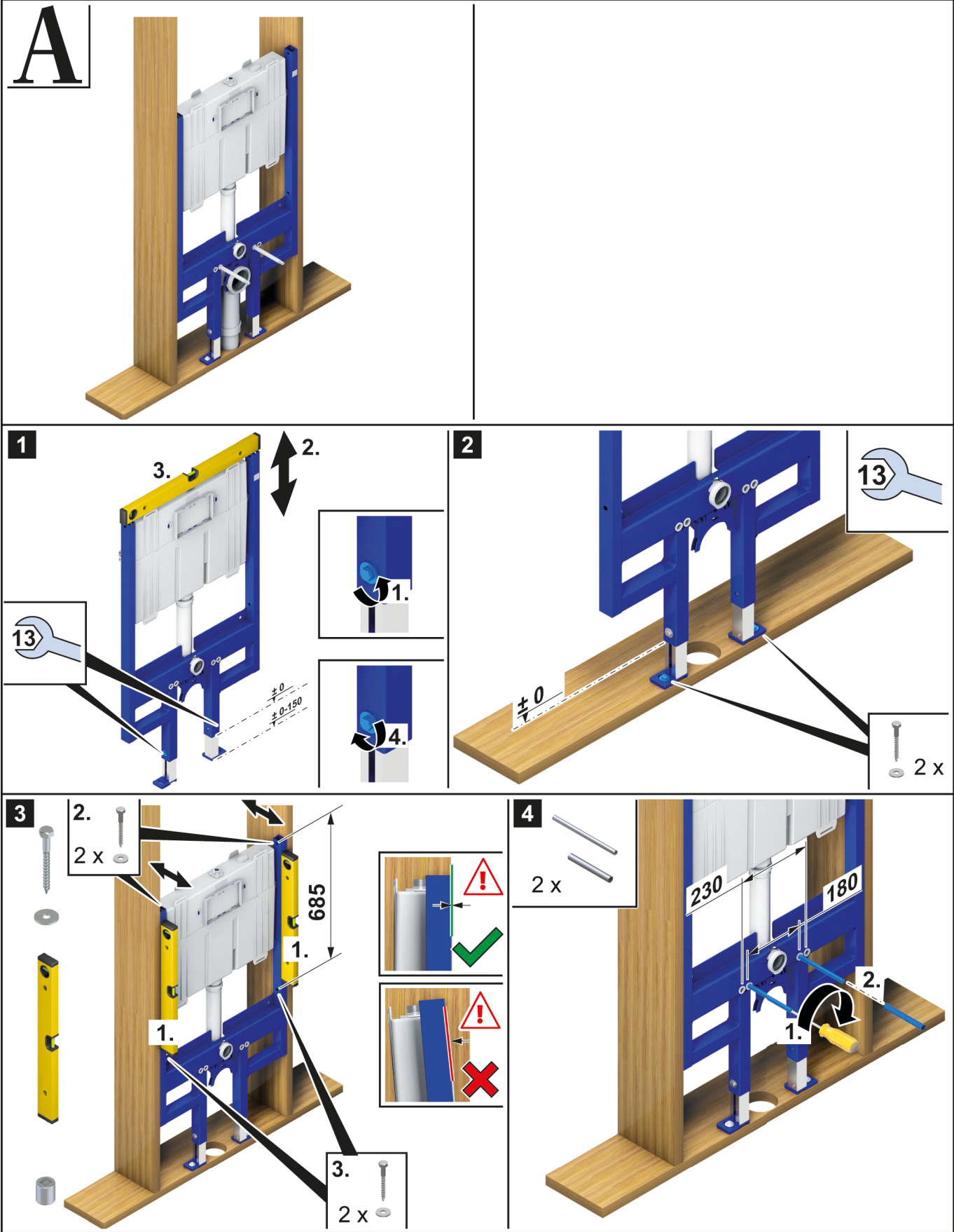
*Important*

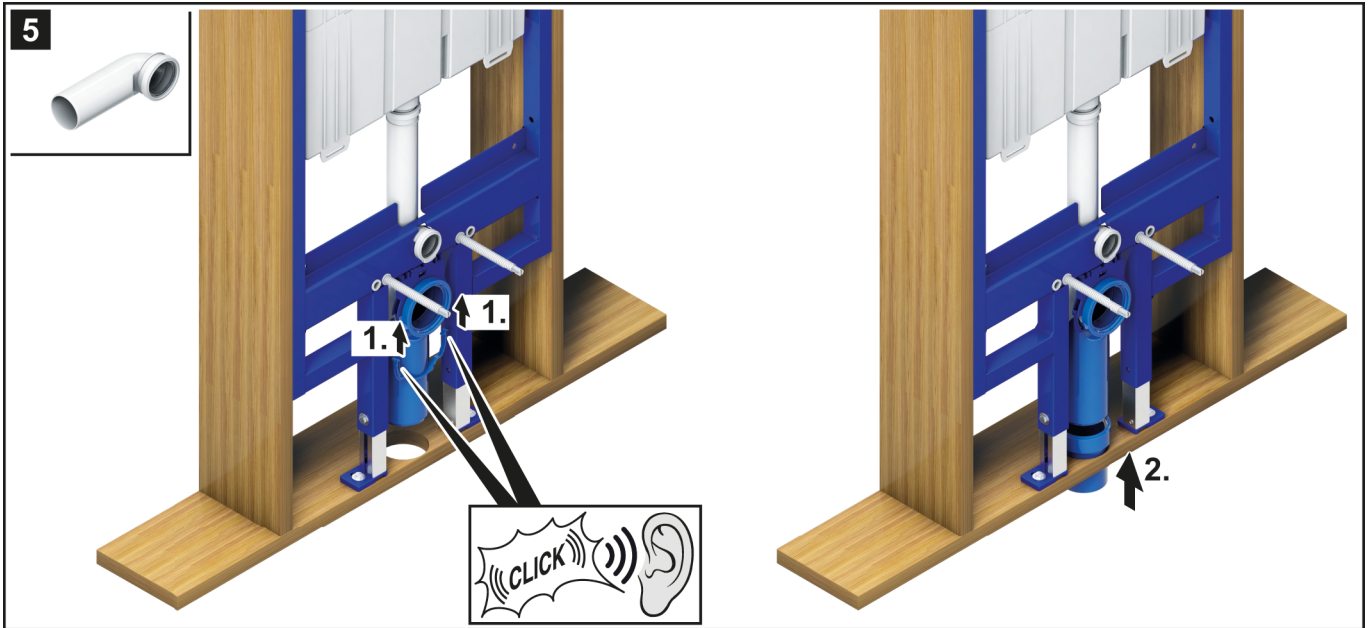
All Villeroy & Boch in-wall cisterns are supplied with kee-seal and flush pipe to connect to wall hung and or wall-faced pans.

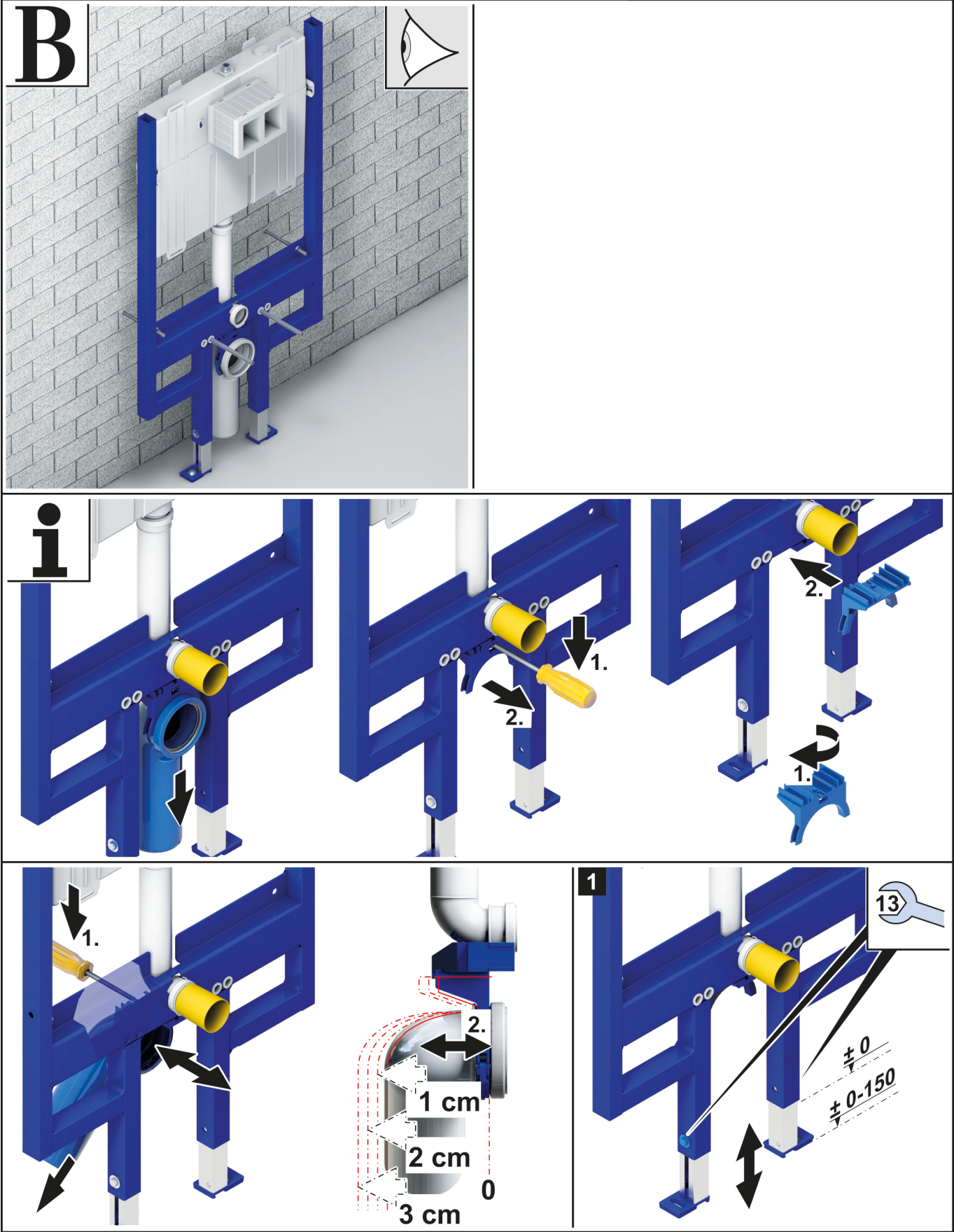


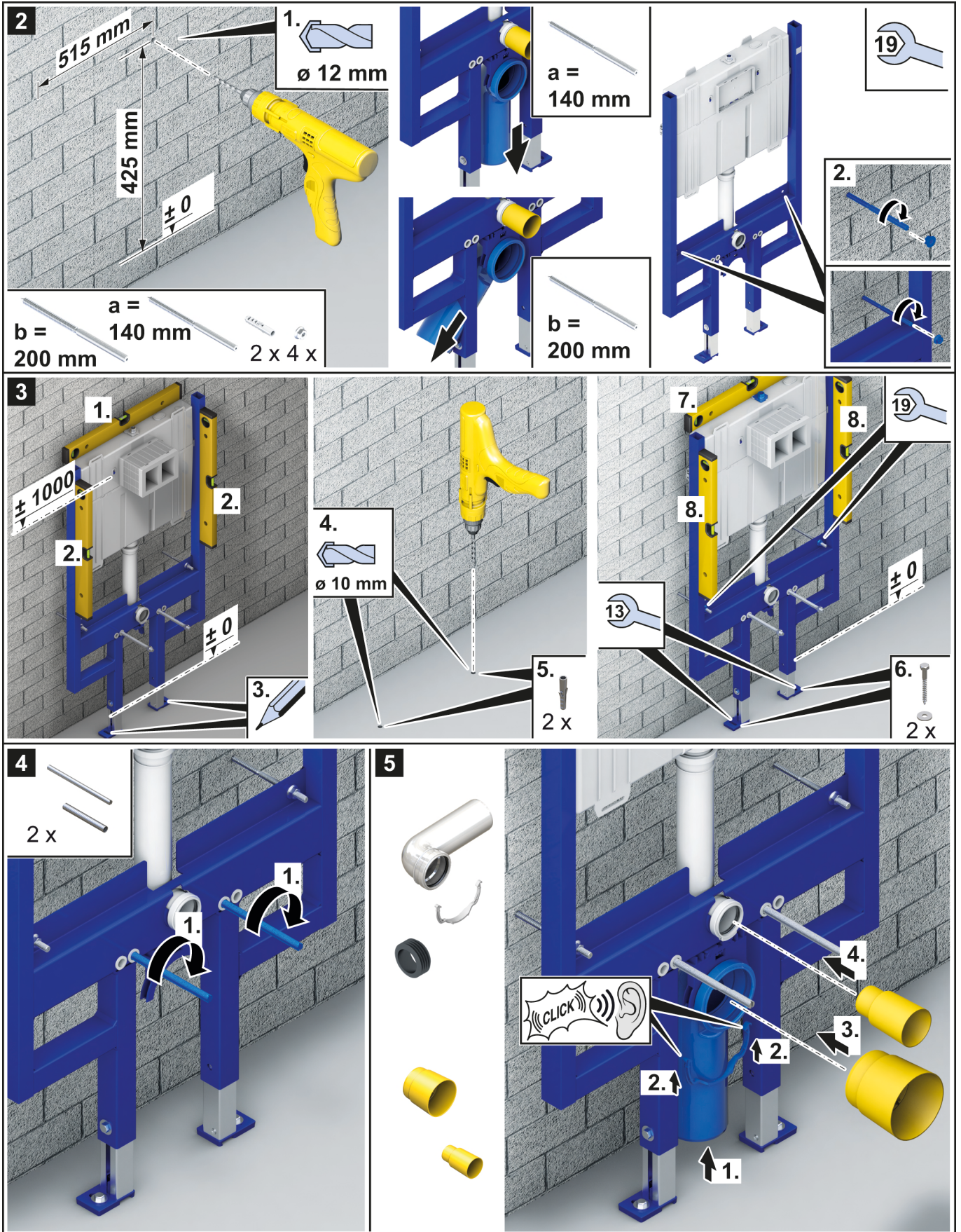
*Important*

A large range of flush plates are available to suit the Villeroy & Boch in-wall cisterns.

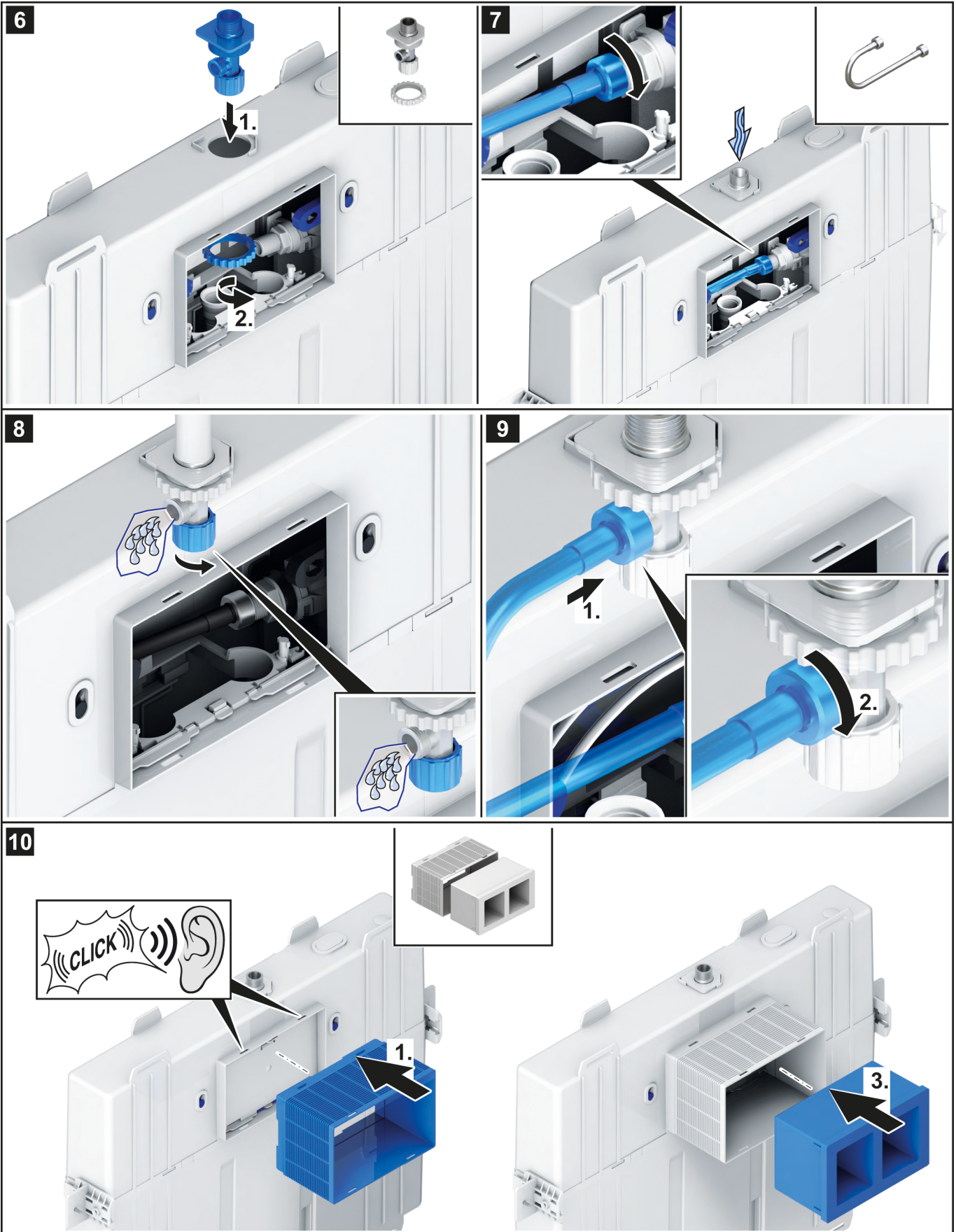


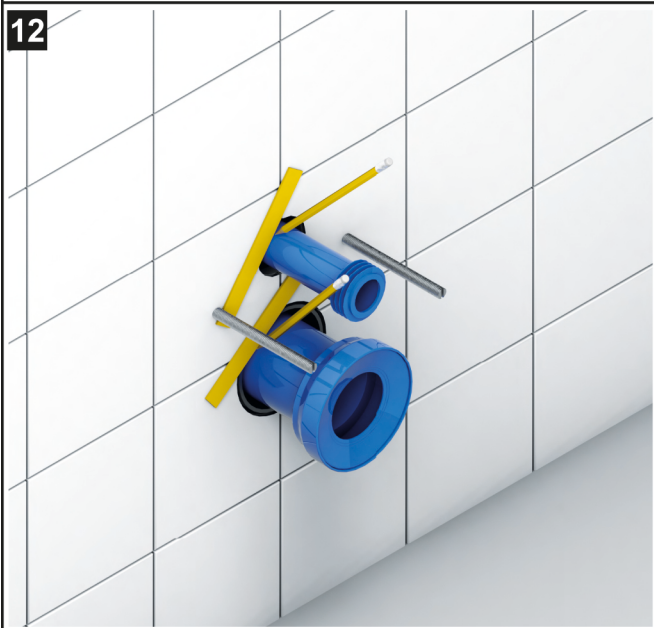
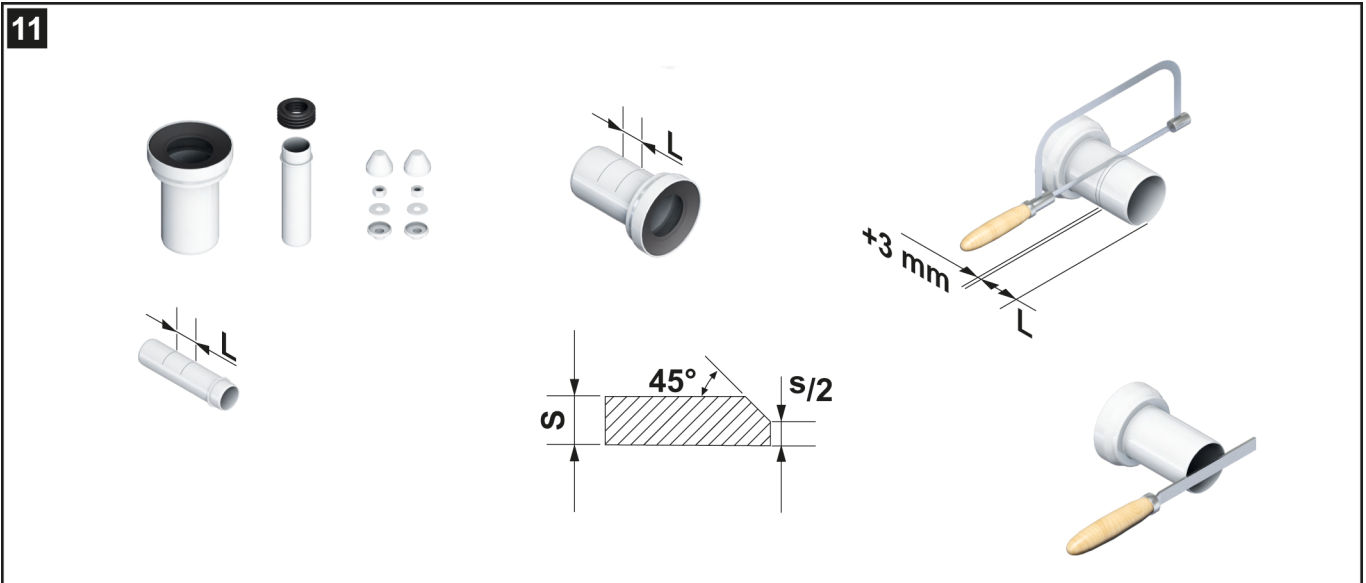




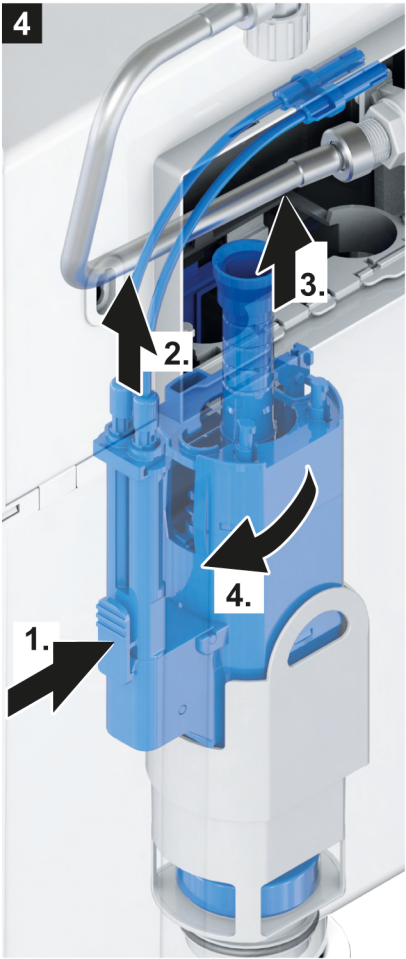
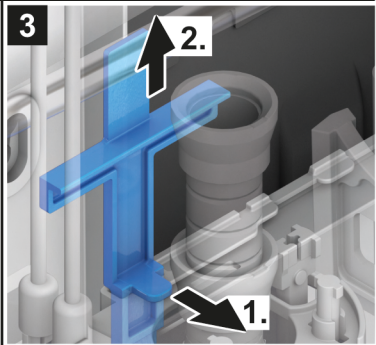
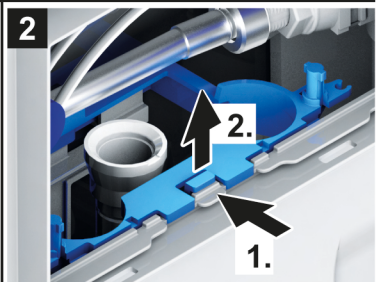
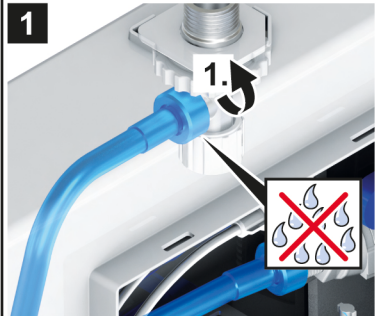








**Service**

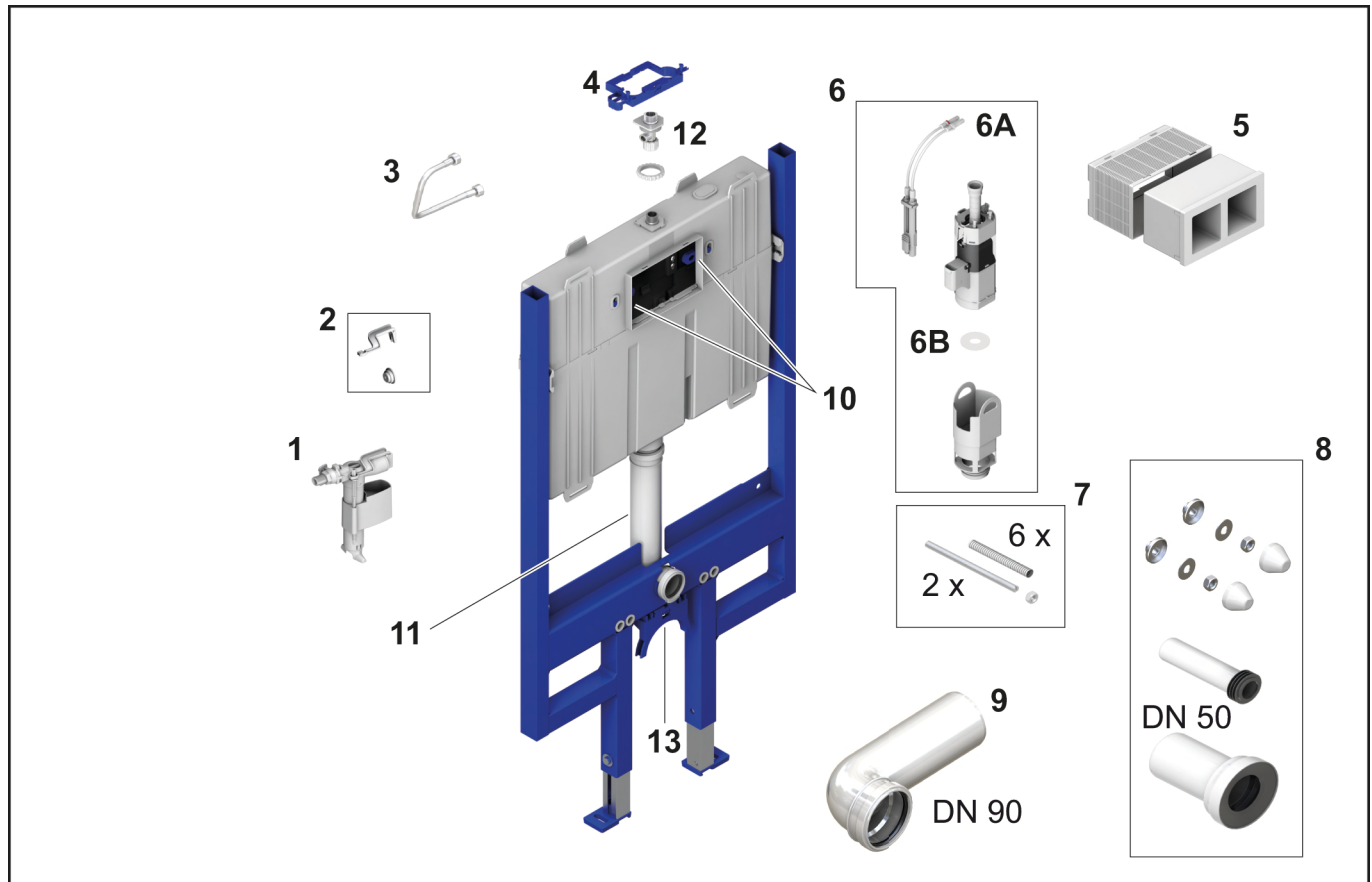


---

## 4 Care and Maintenance

- With daily care, your Villeroy & Boch products will shine for many years to come.
- For the daily cleaning, we recommend using a soft, non-abrasive sponge or cloth. If you wish to use a cleaning agent, it is best to use a standard, general-purpose cleaning agent.
- You can use all standard cleaning agents.
- Villeroy & Boch products are resistant to all acids and alkalis typically used in the home (as well as cosmetic and medical products containing solvents, alcohol and acetone).
- Please do not use any aggressive cleaning agents that are harmful to the environment.
- As on all surfaces, Villeroy & Boch products will also be damaged by the regular use of scouring creams and powders, highly concentrated drain cleaning chemicals, special tap/metal cleaning agents or bleaching agents containing chlorine.
- Microfibre cloths are suitable for Villeroy & Boch ceramics.
- Tip: Dampen microfibre cloths before use.

## 5 Spare Parts



Pos.	Description	Article Number
1	ViConnect fill valve	8L32 70 00
2	ViConnect Set of seals	9224 89 00
3	ViConnect flexible hose watermark	9223 41 00
4	ViConnect Positioning device	9223 46 00
5	ViConnect Protection box	9221 01 00
6	ViConnect Flush valve	8L11 34 00
6A	ViConnect Cable box	9224 95 00
6B	ViConnect Sealing ring	9221 07 00
7	ViConnect WC fastenings M12	9224 96 00
8	ViConnect WC connection kit DN 90	9224 97 00
9	ViConnect WC connecting bend 90°, DN 90	9224 99 00
10	ViConnect Clip	9223 08 00
11	ViConnect Adjustable flush pipe with cladding	9221 03 00
12	ViConnect Angle valve connection set R ½“, watermark	9223 39 00
13	ViConnect Pipe support clip with adapter, watermark	9223 37 00

## VILLEROY & BOCH

### AUSTRALIA

*Argent Australia Pty Ltd  
Level 1, 22 Arthur Street  
Fortitude Valley QLD 4006  
Australia*

*Customer Central: +61 1300 364 748  
Technical Hotline: +61 1800 356 717  
Email: [support@customer-central.com.au](mailto:support@customer-central.com.au)  
Homepage: <https://www.argentaust.com.au/>*

### GERMANY

*Villeroy & Boch AG  
Bathroom and Wellness Division  
Headquarters  
66693 Mettlach  
Germany*

*Tel: +49 (0) 68 64 / 81 0  
Fax: +49 (0) 68 64 / 81 1484*