



# Avia 2.0 Shower System

Brushed Gold

**Product Image** **Product Details**



**Code:** 7768385B  
**Brand:** Villeroy & Boch  
**Range:** Avia 2.0  
**Warranty:** 7 Years\*  
**WELS:** HH 3 Star (OH 4 Star) Star 9 LPM, Reg  
**#:** S18195

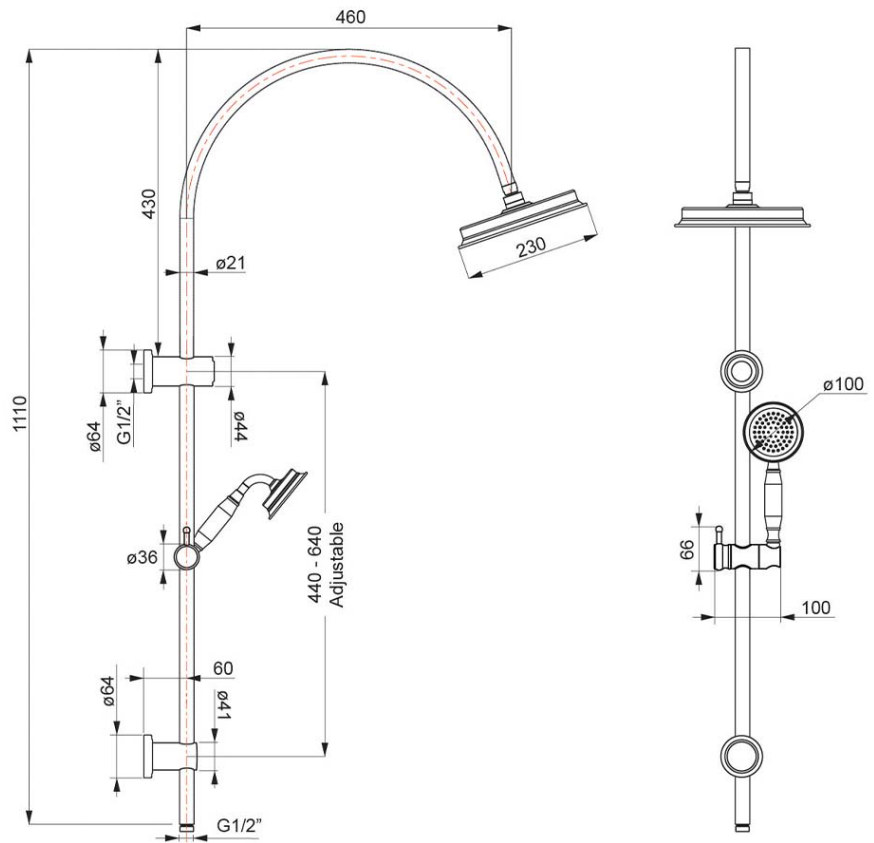
**Additional Features** **Technical Specification**

**Required Product**

**Recommended Products**

- Additional Notes**
- 230Ø Overhead
  - 100Ø Handpiece
  - Easy Clean Silicon Nozzles
  - 1500mm Shower Hose
  - Push Button Diverter Activation
  - Matching Tapware & Accessories

\*Please visit [argentaust.com.au/warranty](http://argentaust.com.au/warranty) to view the full warranty



Note: All dimensions are in millimetres and are subject to normal manufacturing variations. It is recommended to use the physical product measurements for cut-outs and rough-ins as the technical details shown may differ from the actual product. Use acetic cured silicone sealant. Do not use epoxy type adhesives. Clean with damp cloth. Do not use abrasive cleaners, liquids or pastes.

