



Antao 800 Wall Hung Basin

CERAMICPLUS | NO TAP HOLE | NO OVERFLOW | PURE BLACK

Product Image **Product Details**



Code: 4A7583R7B
Brand: Villeroy & Boch
Range: Antao
Warranty: 10 Years*
Product Width: 800 mm
Product Depth: 500 mm
WELS: N/A

Additional Features **Technical Specification**

Required Product
32mm Waste

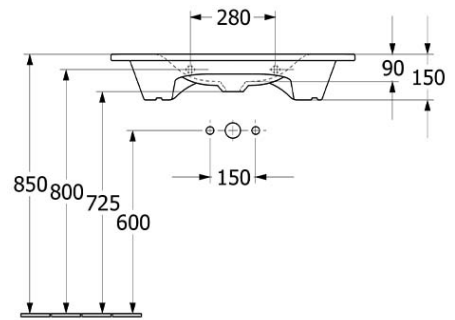
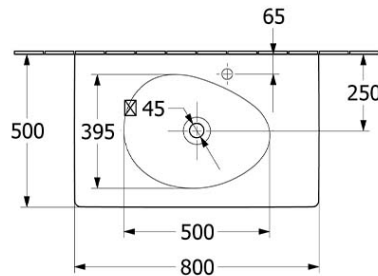
Recommended Products
K316-D Pop Up Waste series

Additional Notes

- Supplied with non-closeable waste
- Check for suitability to your requirements.

Installation Instructions

- * When used in conjunction with Antao Bathroom Furniture
- * Basin must be mounted to wall prior to Cabinet fitment.



*Please visit argentaust.com.au/warranty to view the full warranty

Note: All dimensions are in millimetres and are subject to normal manufacturing variations. Always use the physical product measurements for cut-outs and rough-ins as the technical details shown may differ from the actual product. Use acetic cured silicone sealant. Do not use epoxy type adhesives. Clean with damp cloth. Do not use abrasive cleaners, liquids or pastes.

