



# Loop Slim 510 Rect DI Basin NTH

**Product Image** **Product Details**

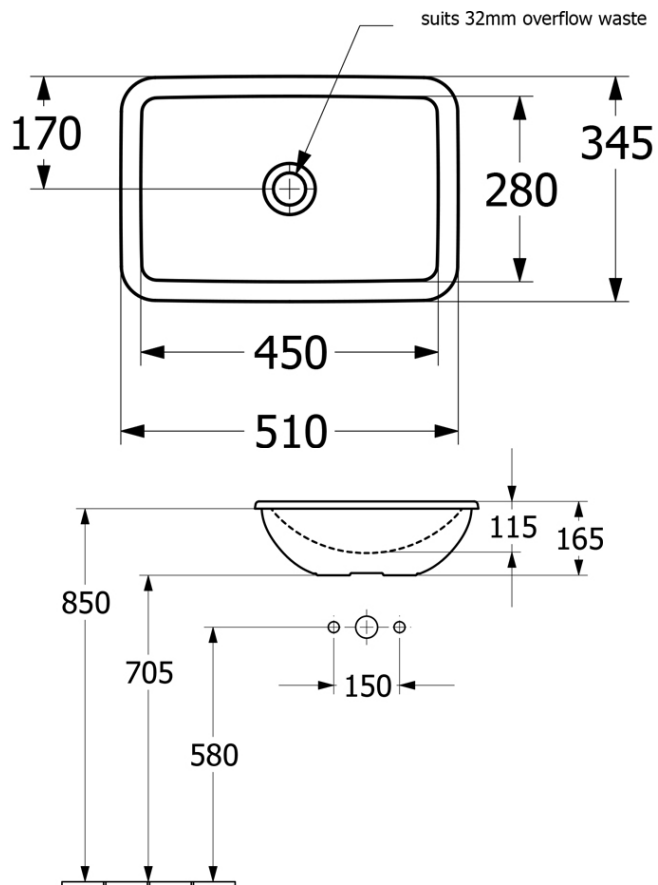


**Code:** 4A640001  
**Brand:** Villeroy & Boch  
**Range:** Loop Slim  
**Warranty:** 10 Years\*  
**Product Width:** 510 mm  
**Product Depth:** 345 mm  
**WELS:** N/A

**Additional Features** **Technical Specification**

**Required Product**  
 32mm Overflow Waste  
  
**Recommended Products**  
 K316-D PUW Series

**Additional Notes**  
 • Water capacity to bottom of overflow - 4.4lt  
  
**Installation Instructions**  
 \* Position logo visible at the back of the basin  
 \* Slot overflow at the front



\*Please visit [argentaust.com.au/warranty](http://argentaust.com.au/warranty) to view the full warranty

Note: All dimensions are in millimetres and are subject to normal manufacturing variations. Always use the physical product measurements for cut-outs and rough-ins as the technical details shown may differ from the actual product. Use acetic cured silicone sealant. Do not use epoxy type adhesives. Clean with damp cloth. Do not use abrasive cleaners, liquids or pastes.

