



# Advantage 800 Grab Rail

Matte Black

## Product Image



## Product Details

<b>Code:</b>	<b>428880MB</b>
Brand:	Argent
Range:	Advantage
Warranty:	5 Years*
WELS:	N/A

## Additional Features

### Required Product

### Recommended Products

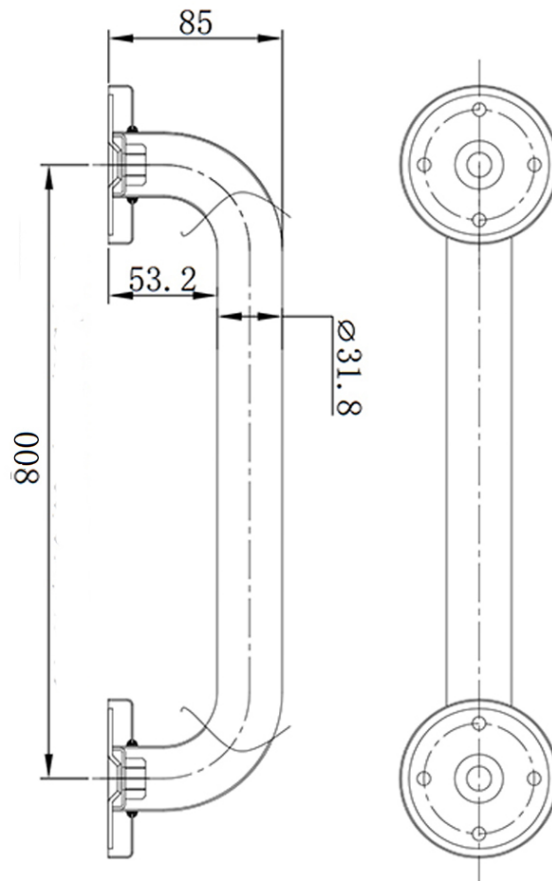
### Additional Notes

- AdvantageSeal Flange
- Manufactured From 304 SS

### Installation Instructions

\* Grab Rails to be installed to AS1428.1-2009 & AS3500 compliance requirements

## Technical Specification



\*Please visit [argentaust.com.au/warranty](http://argentaust.com.au/warranty) to view the full warranty

Note: All dimensions are in millimetres and are subject to normal manufacturing variations. Always use the physical product measurements for cut-outs and rough-ins as the technical details shown may differ from the actual product. Use acetic cured silicone sealant. Do not use epoxy type adhesives. Clean with damp cloth. Do not use abrasive cleaners, liquids or pastes.

