
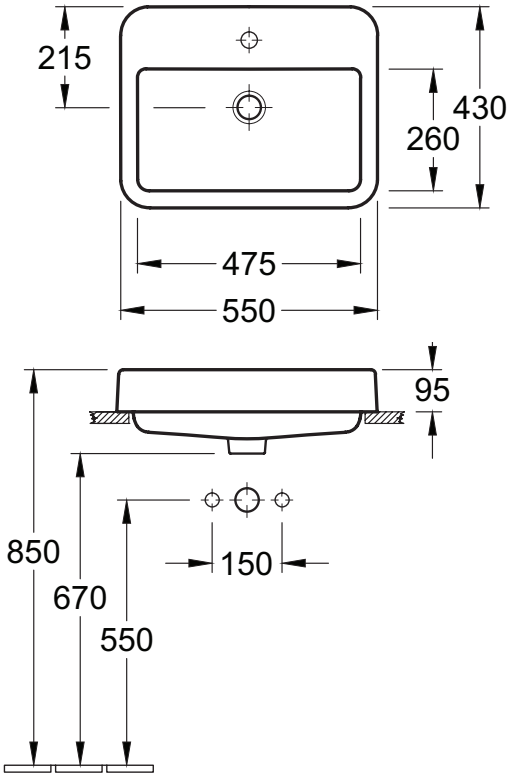




ARCHITECTURA 550 SEMI-INSET BASIN

Product Image	Technical Specification
	

Description
<p>Architectura 550 Semi-Inset Basin</p> <p>41935501 1 Tap Hole</p>

Additional Information
<ul style="list-style-type: none"> • 550x430mm • With Overflow • Waste & Tapware not included, recommended waste K316-D • 5 Year Warranty *Conditions Apply

