



Compact II Flush Plate High Pressure

Stainless Steel

Product Image



Product Details

SKU:	028162899
Brand:	Schell
Range:	Compact
Warranty:	2 Years
WELS:	N/A

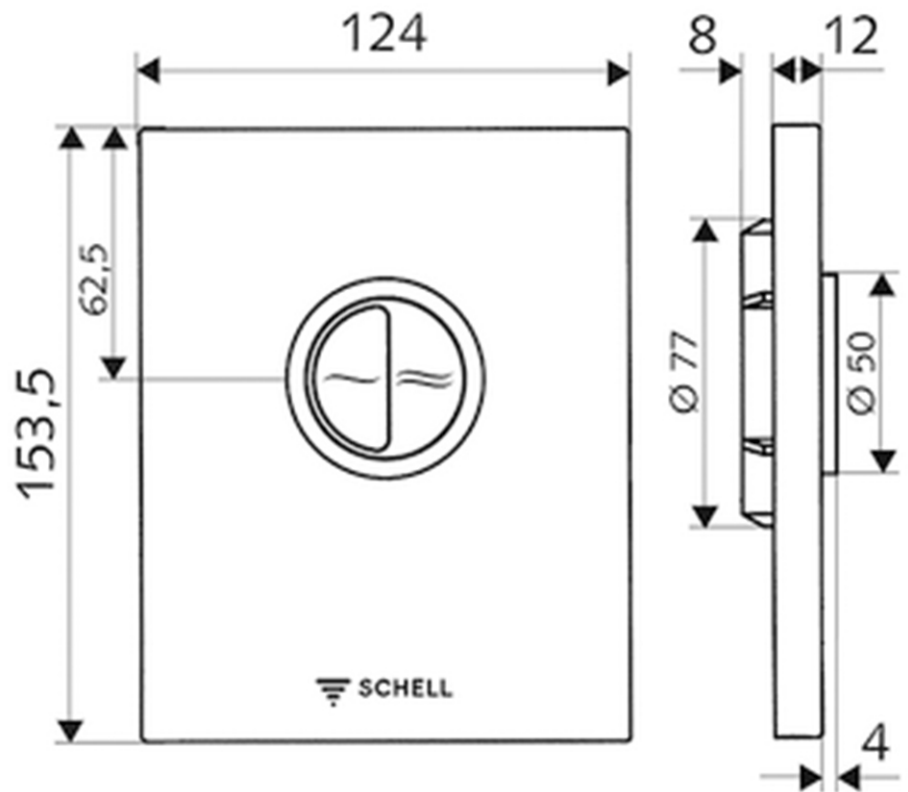
Additional Features

Required Product
011360099 Compact II Flush Valve Body HP

Recommended Products

Additional Notes
* Dual Flush

Technical Specification



Note: All dimensions are in millimetres and are subject to normal manufacturing variations. Always use the physical product measurements for cut-outs and rough-ins as the technical details shown may differ from the actual product. Use acetic cured silicone sealant. Do not use epoxy type adhesives. Clean with damp cloth. Do not use abrasive cleaners, liquids or pastes.