



Modus II E Basin Tap Single Temperature

Battery

Product Image

Product Details



Code: 021760699
Brand: Schell
Range: Modus II
Warranty: 2 Years*
WELS: 6 Star 3 LPM, Reg #: T38469

Additional Features

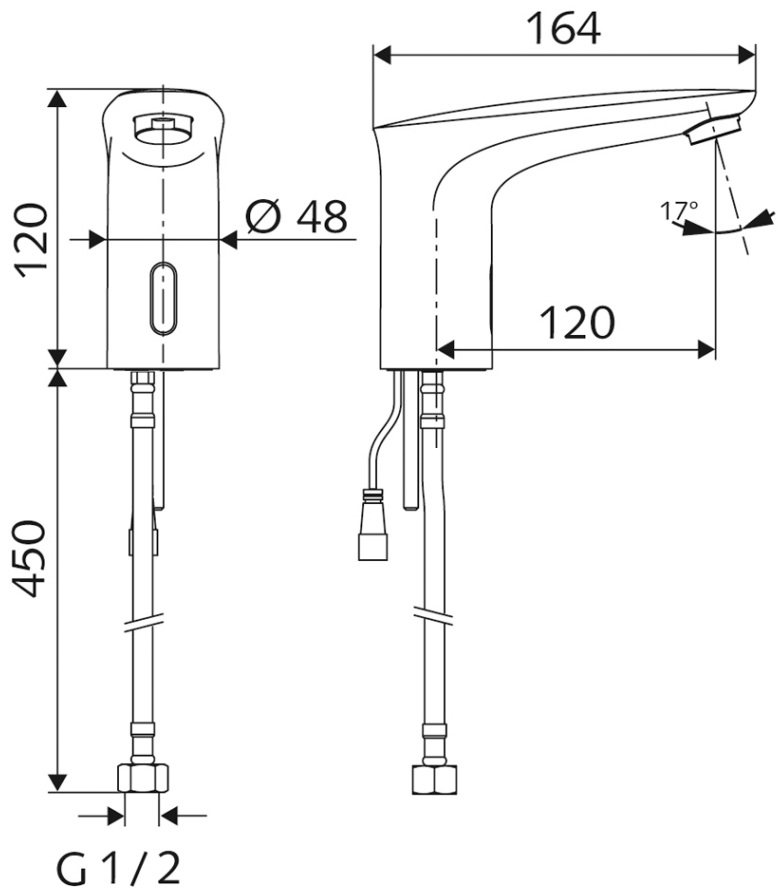
Technical Specification

Required Product

Recommended Products

Additional Notes

- Includes 9V Battery
- Touchless Operation
- Adjustable Detection Range (2 to 17cm)
- 24hr Stagnation Flush Option



*Please visit argentaust.com.au/warranty to view the full warranty

Note: All dimensions are in millimetres and are subject to normal manufacturing variations. Always use the physical product measurements for cut-outs and rough-ins as the technical details shown may differ from the actual product. Use acetic cured silicone sealant. Do not use epoxy type adhesives. Clean with damp cloth. Do not use abrasive cleaners, liquids or pastes.

