



Edition E Sensor Plate with Manual Override

Stainless Steel

Product Image



Product Details

Code: 010282899
Brand: Schell
Range: Compact
Warranty: 2 Years*
WELS: 3 Star 6 LPM, Reg #: L05447 (V)

Additional Features

Technical Specification

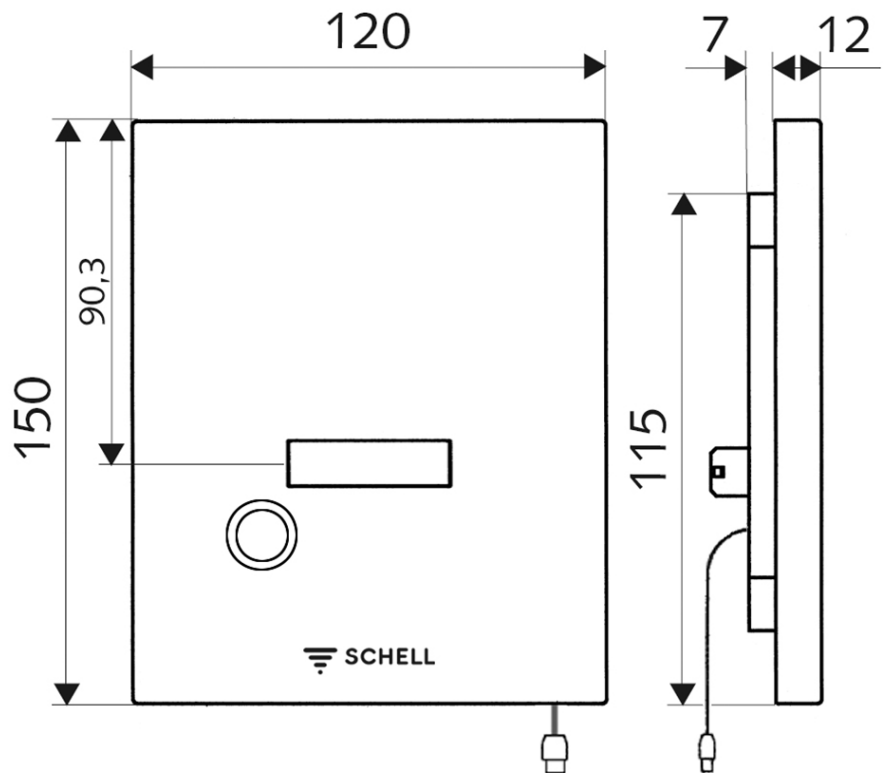
Required Product

Battery Pack 015570099 OR
 Transformer TR02 & 011360099
 Compact II Flush Valve Body

Recommended Products

Additional Notes

- With Manual Override



*Please visit argentaust.com.au/warranty to view the full warranty

Note: All dimensions are in millimetres and are subject to normal manufacturing variations. Always use the physical product measurements for cut-outs and rough-ins as the technical details shown may differ from the actual product. Use acetic cured silicone sealant. Do not use epoxy type adhesives. Clean with damp cloth. Do not use abrasive cleaners, liquids or pastes.

