



Doppler Compact RD Urinal Flush Kit

Urinal Flush Valve

Product Image



Product Details

Code:	010180099
Brand:	Schell
Range:	Doppler
Warranty:	2 Years*
WELS:	6 Star 1 LPM, Reg #: U00470

Additional Features

Technical Specification

Required Product

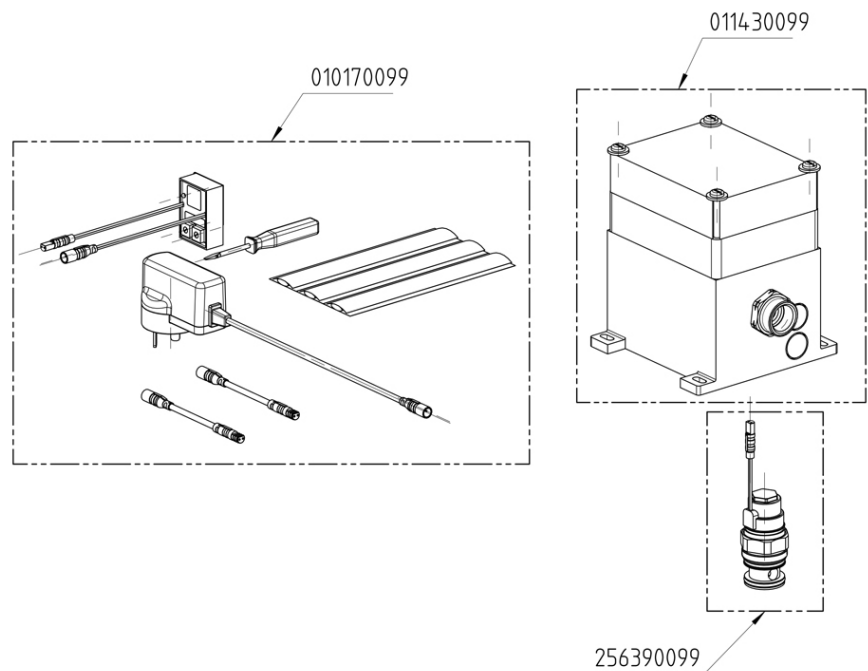
Recommended Products
55741001PB URINAL

Additional Notes

- Integral Air Break
- Stadium Flush
- 24 Hour Stagnation flush

Installation Instructions

* Rough-In body must be installed vertically



*Please visit argentaust.com.au/warranty to view the full warranty

Note: All dimensions are in millimetres and are subject to normal manufacturing variations. Always use the physical product measurements for cut-outs and rough-ins as the technical details shown may differ from the actual product. Use acetic cured silicone sealant. Do not use epoxy type adhesives. Clean with damp cloth. Do not use abrasive cleaners, liquids or pastes.